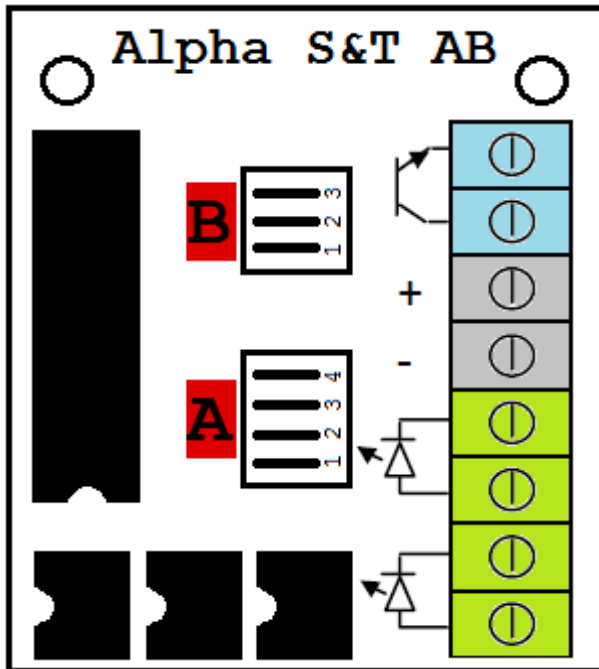


Inkoppling



UT:	Utpuls
IN:	
+	Ström: 8 - 35V DC
-	
UT:	Inpuls 2
IN:	
UT:	Inpuls 1
IN:	

Programmering

SWITCH A				
IN → UT	1	2	3	4
1 → 1	ON	ON	ON	-
2 → 1	OFF	ON	ON	-
4 → 1	OFF	OFF	OFF	-
10 → 1	ON	OFF	ON	-
50 → 1	OFF	OFF	ON	-
100 → 1	ON	ON	OFF	-
200 → 1	OFF	ON	OFF	-
1 → 2	ON	OFF	OFF	-

SWITCH B			
Pulslängd	1	2	3
Utpuls			D-puls
0 ms	ON	ON	ON/OFF
1 ms	OFF	ON	ON/OFF
2 ms	ON	OFF	ON/OFF
100 ms	OFF	OFF	ON/OFF