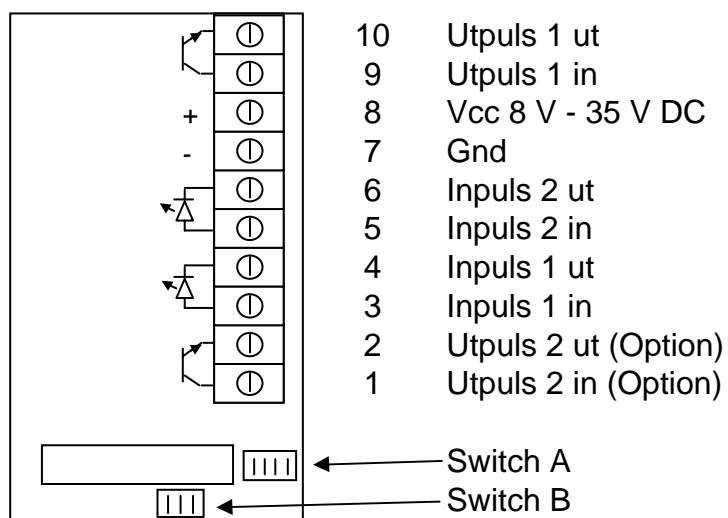


## Pulsinterface inkoppling och programmering



### Switch A

Pulsratio	1	2	3	4
ut : in				
1:1	x	On	On	On
1:2	x	On	On	Off
1:4	x	Off	Off	Off
1:10	x	On	Off	On
1:50	x	On	Off	Off
1:100	x	Off	On	On
1:200	x	Off	On	Off
2:1	x	Off	Off	On

### Switch B

Pulslängd	1	2	3
Utpuls			D-puls
0 mS	On	On	On/Off
1 mS	Off	On	On/Off
2 mS	On	Off	On/Off
100 mS	Off	Off	On/Off